

# American Panel HEARTH PRODUCTS

Full Line of Hearth Pads



The natural choice for home & hearth.



# Protection for Your Floors

## TYPE 1 - Ember Defender

### Steel Hearth Pads (Ember Protection Only)

All wood, pellet, coal and corn stoves require a hearth protector. Most require only protection from falling embers. But some stoves produce enough heat directed down and forward that a Type 1 – Ember Protector won't stop the heat from passing through to the floor beneath the stove.

### Color Options

The Ember Defender steel hearth pad is available in black, which is slightly textured and the same on both sides. The Ember Defender is also available with an Artisan finish, done by lightly grinding the steel and applying heat to one side. When complete, a clear powder-coat is applied to both sides. The result is one side will have more of a Bronze/Blue color, and the other will have more of a Blue/Bronze color. No two will ever be the same.

- Provides excellent Type 1 protection.
- Heavy gauge powder-coated steel.
- No removal of carpeting required.
- Listed to UL 1618 tested protection for your family's safety/security.
- Ground strap kit available if needed.
- Manufactured in the USA.



## Heat Protection for Floors

## TYPE 2 - Traditional Hearth Pads

### (Ember & Thermal Protection)

For today's highly efficient stoves, an American Panel non-combustible hearth pad will block the heat from passing through to your subfloor. Fully non-combustible, with an R-value of 2.24 or 1.592 (R-value information), it provides protection well above the minimum requirements for Type 2 hearth pads (minimum requirement of R-value=1.0). ThermaShield or a 6" pedestal is recommended for hearth pads requiring an extremely high R-value. All our pads are tested to meet or exceed UL1618.

### Original Edge Frame

Hearth Pads Sizes up to 48" x 54"

With R-Value of 2.24

- 1" frame
- 30% lighter than other hearth pads
- Single ½" non-combustible substrate with significantly higher R-Value than other substrates

Hearth Pads Sizes 54" or Larger

With R-Value of 1.592

- 1-1/4" frame
- Two substrates equal to ¾", these substrates provide a slightly lower R-Value than the single substrate in our 1" frame
- Two substrates are required to provide strength for larger hearth pads



### Colonial Edge Frame

Hearth Pads Available in Any Size With R-Value of 1.592

- 1-1/4" frame
- Utilizes two substrates equal to ¾", these substrates provide a slightly lower R-Value than the single substrate in our 1" frame
- Two substrates are required to provide strength for larger hearth pads



# Traditional Hearth Pad Tile Colors

Select from a large variety of tile colors that will look best with your stove and home. Looking for a more complex color combination? Add extra beauty to your stove while still providing great protection with a two-tone tile hearth pad.

**Current tile offerings are subject to change, and the actual color of tile may vary from the product picture. Tile shown in any lifestyle pictures may or may not be available.**



## Slate and Stone Colors

---

Natural Cleft Slate is the most popular texture for slate flooring. The surface is moderately rough, giving your hearth pad a slip-resistant and very unique appearance. If you want a more earthen feel and antiqued look for your hearth pad, Tumbled Slate is a versatile material that aesthetically adds to the interior of any home. Polished Slate is often considered to appear more elegant than natural slate, having a more “finished” look.

**Color of slate and stone will vary from product pictures as these are natural stone.**



## Random Square Cut Styling

---

The Random Square Cut style's lack of symmetry is what makes it unique and beautiful when using stone finishes. Available with Asian, Polished Copper, and Indian Silver.



## Venetian Inlay Detail

---

Enhance your tile or slate hearth pad with Venetian Inlay for a more sophisticated look.



# Accessories

---

## Wall Pads

Our fully non-combustible wall pads are available for flat walls or corners for the Original or Colonial Edge pads. We make matching wall pads to go with every size floor pad, even custom sizes. Our mounting brackets raise the pad 1" off the floor pad and hold it 1" away from the wall. This mounting system, along with our fully non-combustible design, can reduce clearances to a combustible wall up to 66% in many cases. Talk with your stove dealer and check your stove manual for clearance requirements for your stove.

- Available for standard (single wall board) and corner (two wall boards) installations.
- May reduce clearances to combustible walls.
- Mounting brackets are available to space wall pad(s) - 1" off floor hearth pad and 1" away from the wall.
- Provides an attractive hearth setting for your stove.



## Pedestals for Hearth Pads

Matching pedestal available for all sizes and shapes, including special orders. Pedestals are offered in tile, slate, stone or brick and are designed and built to be slightly smaller than the hearth pad. The hearth pad will overhang the pedestal on all sides.

### Standard Pedestal - 6" Height

- Available with or without thermal value: No thermal value – pedestal will include a 3/4" solid top surface (not just framing)
- Thermal Value Pedestal: R-Value of 2.08 includes 1" mineral fiberboard, R-Value of 3.12 includes 1-1/2" mineral fiberboard
- These two options when combined with the hearth pad will increase the total R-Value to a minimum of 3.67 and 4.71 respectively
- Solid 3/4" surface is installed under the mineral fiberboard and is not included in the R-Value rating

### Spartan Shield

- 1" frame – black powder coat (same as hearth pad frame)
- 1" of Micore 300, providing an R-Value of 2.08 in addition to the R-Value of the hearth pad
- Can be used with any of our frame offerings
- Designed and built to be slightly smaller than the actual hearth pad

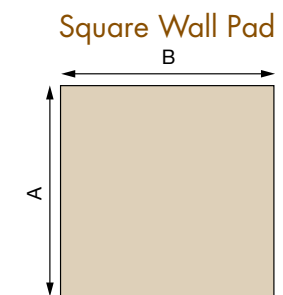
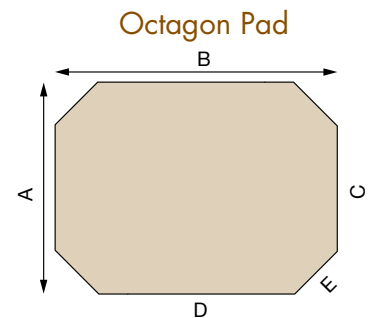
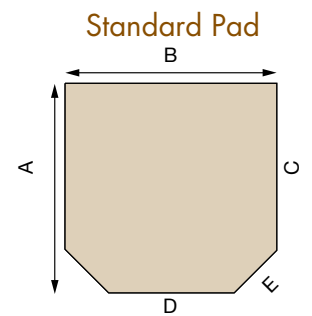
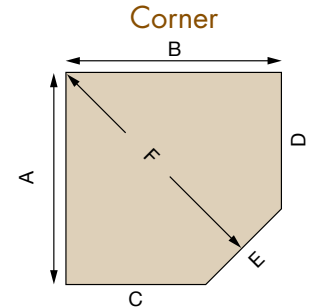
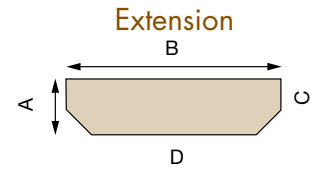


# Shapes & Sizes

Our pads are offered in most popular sizes and shapes. Please consult your stove's owner's manual to determine the clearance requirements of your stove. Your hearth pad dealer can then help you choose the most appropriate pad size and shape for your home. Custom sizes welcomed but cannot exceed 60".


## Measurements

Shapes (inches)	A	B	C	D	E	F
<b>Hearth Extension</b>						
12 Extension	12	48	7 ¾	39 ½	6	NA
18 Extension	18	48	13 ¾	39 ¾	6	NA
<b>Corner (SL)</b>						
32 SL	32	32	26 ½	26 ½	8	42
36 SL	36	36	30 ½	30 ½	12	45
40 SL	40	40	31 ½	31 ½	12	50
44 SL	44	44	35 ½	35 ½	12	56
48 SL	48	48	37 ½	37 ½	15	60
54 SL	54	54	43 ½	43 ½	15	69
60 SL	60	60	49 ½	49 ½	15	77
<b>Standard (DL)</b>						
32 DL	32	32	26 ½	20 ½	8	NA
36 DL	36	36	30 ½	24 ½	8	NA
40 DL	40	40	31 ½	23	12	NA
44 DL	44	44	35 ½	27	12	NA
48 DL	48	48	37 ½	27	15	NA
48D x 54W DL	48	54	37 ½	39	15	NA
54D x 48W DL	54	48	43 ½	27	15	NA
54 DL	54	54	43 ½	27	15	NA
60 DL	60	60	49 ½	39	15	NA
<b>Octagon (OCT)</b>						
24x32 OCT	24	32	16	23 ½	6	NA
24x36 OCT	24	36	16	27 ½	6	NA
<b>Wall (SQ)</b>						
36x48 SQ	48	36	NA	NA	NA	NA
40x48 SQ	48	40	NA	NA	NA	NA
48x48 SQ	48	48	NA	NA	NA	NA
54x48 SQ	48	54	NA	NA	NA	NA



**American Panel** HEARTH PRODUCTS

www.americanpanelhearth.com

Made in the USA 

Color shade variations are inherent in all products. Please note, colors shown in this brochure may vary slightly from the actual products. Prices are subject to change without notice.

Authorized Dealer

2020



Tested, Approved & Listed to UL-737, UL-1482, UL-127, UL-1618 & NFPA 211 safety standards for wall & floor protectors & hearth extensions.